



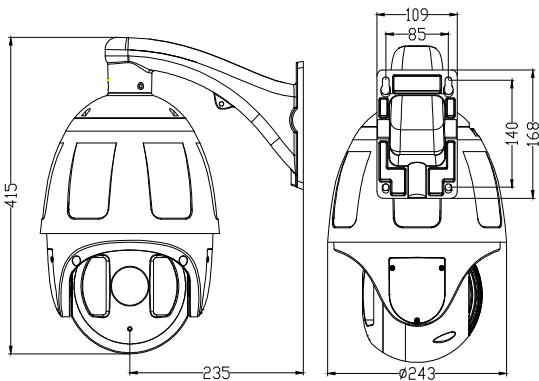
## FEATURES:

- ◆2.0MP IR network high speed dome camera
- ◆SAMSUNG 20X Camera Module
- ◆1080P , 20X optical zoom, F=4.45mm-89mm
- ◆Manual control speed: 0.1-150°/S, preset speed: 180 ° / S
- ◆Horizontal continuous rotate 360 °, 90 ° vertically rotation
- ◆IR irradiation distance 100m
- ◆256 preset,4 pattern,8 cruise
- ◆Lighting-proof, IP66, Standard wall mounting bracket

## SCENARIOS:

Can be applied to suit a wide range of high speed monitoring sites, such as rivers, forests, roads, railways, airports, ports, sentry, square, park, scenic spot, the streets, railway stations, large venues, peripheral etc

## DIMENTIONS:



## SPECIFICATION :

Parameter	Model
<b>Vu-Tec IP20X-IR 2MP</b>	
<b>CAMERA</b>	
Pick-up device	1/3 inch, PS CMOS
Effective Pixels	1944(H) x 1092(V)
Horizontal Resolution	1080P/30,1080P/25
Min. Illumination	Color : 1.5 Lux/F1.6 (50 IRE) , B/W: 0.1 Lux/F1.6 (50 IRE)
Scanning system	Progressive scan
S/N Ratio	50dB
White Balance	ATW / AWC / INDOOR / OUTDOOR / Manual
Day&Night	Auto, COLOR, B/W(ICR)
Electronic shutter	AUTO / MANUAL / A.FLK
Image Rotation	Off / H-Rev / V-Rev / HV-Rev
AGC	OFF, LOW, MIDDLE, High, MANUAL Selectable
BLC	OFF / BLC / HLC
SSDR	OFF / ON
<b>LENS</b>	
Zoom	SAMSUNG 20X optical zoom, (X2 ~ X8) digital zoom
Focal Length	f=4.45 to 89mm(F1.6~F2.9)
Focus	Auto/Manual/One push
Iris	Auto / Manual
<b>FUNCTION</b>	
Network Protocols	HTTP,SMTP,UPnP,DNS,DDNS,NTP,RTSP,RTP,TCP,DHCP,PPPoE
Dual-stream	Support
Network Interface	Build-in RJ45 ,support 10M/100M network data
API	Support software integration open type API , Standard Protocol (Onvif) 、 The third party management platform access
Web Browser	Support IE7、IE8、IE9、IE10 and based on the IE core browsers
Client	Support Video Surveillance client
Horizontal	360° Endless
Vertical	0°~90° Auto rotation
Pan / Tilt Speed	Manua: 150°/sec, Preset:180°/sec
Preset	256 Preset
Preset Accuracy	0.1°
Pattern	4
Cruise	8
Swing	8
Group	4
Auto Scan	Support
Power up action etc	Support
Home Function	Preset/Swing/Interval/Auto Pan/Cruise/Pattern/Group
IR irradiation distance	100M
IR irradiation angle	Adjustable by zoom
Communication	RS-485
protocol	Pelco-D./Pelco-P auto identify
Address	0-255
Software Add	Support
Privacy Zone	4 zones
Alam Input	2 CH input, 1CH output
Alarm Linkage	Preset/Swing/Interval/Auto Pan/Cruise/Pattern/Group
OSD Menu	English
<b>ENVIRONMENT</b>	
Power supply	DC12V 5A
Power	65W
Operating Temp	-30℃~60℃
Humidity	0%~90%
Size	415(H)*243(D)mm
Application environment	Outdoor
Water proof	IP66
Weight	10KG